

Contactor relay, 2 NO + 2 NC, 110 V AC, 50 / 60 Hz, Size S00, screw terminal



| | |
|--|----------------------------|
| Product brand name | SIRIUS |
| Product designation | Auxiliary contactor |
| Product type designation | 3RH2 |
| General technical data | |
| Size of contactor | S00 |
| Product extension | Yes |
| <ul style="list-style-type: none"> Auxiliary switch | |
| Insulation voltage | 690 V |
| <ul style="list-style-type: none"> with degree of pollution 3 at AC rated value | |
| Degree of pollution | 3 |
| Surge voltage resistance rated value | 6 kV |
| Protection class IP | IP20 |
| <ul style="list-style-type: none"> on the front | |
| Shock resistance at rectangular impulse | 7,3g / 5 ms, 4,7g / 10 ms |
| <ul style="list-style-type: none"> at AC | |
| Shock resistance with sine pulse | 11,4g / 5 ms, 7,3g / 10 ms |
| <ul style="list-style-type: none"> at AC | |
| Mechanical service life (switching cycles) | 30 000 000 |
| <ul style="list-style-type: none"> of contactor typical | |

| | |
|---|------------|
| <ul style="list-style-type: none"> • of the contactor with added electronics-compatible auxiliary switch block typical | 5 000 000 |
| <ul style="list-style-type: none"> • of the contactor with added auxiliary switch block typical | 10 000 000 |
| Reference code acc. to DIN EN 81346-2 | K |

Ambient conditions

| | |
|--|----------------|
| Installation altitude at height above sea level | |
| <ul style="list-style-type: none"> • maximum | 2 000 m |
| Ambient temperature | |
| <ul style="list-style-type: none"> • during operation | -25 ... +60 °C |
| <ul style="list-style-type: none"> • during storage | -55 ... +80 °C |

Main circuit

| | |
|---|------------|
| No-load switching frequency | |
| <ul style="list-style-type: none"> • at AC | 10 000 1/h |
| <ul style="list-style-type: none"> • at DC | 10 000 1/h |

Control circuit/ Control

| | |
|---|--------------|
| Type of voltage of the control supply voltage | AC |
| Control supply voltage at AC | |
| <ul style="list-style-type: none"> • at 50 Hz rated value | 110 V |
| <ul style="list-style-type: none"> • at 60 Hz rated value | 110 V |
| Control supply voltage frequency | |
| <ul style="list-style-type: none"> • 1 rated value | 50 Hz |
| <ul style="list-style-type: none"> • 2 rated value | 60 Hz |
| Operating range factor control supply voltage rated value of magnet coil at AC | |
| <ul style="list-style-type: none"> • at 50 Hz | 0.8 ... 1.1 |
| <ul style="list-style-type: none"> • at 60 Hz | 0.85 ... 1.1 |
| Apparent pick-up power of magnet coil at AC | 37 V·A |
| Inductive power factor with closing power of the coil | 0.8 |
| Apparent holding power of magnet coil at AC | 5.7 V·A |
| Inductive power factor with the holding power of the coil | 0.25 |
| Closing delay | |
| <ul style="list-style-type: none"> • at AC | 8 ... 33 ms |
| Opening delay | |
| <ul style="list-style-type: none"> • at AC | 4 ... 15 ms |
| Arcing time | 10 ... 15 ms |

Auxiliary circuit

| | |
|---|---|
| Number of NC contacts for auxiliary contacts | 2 |
| <ul style="list-style-type: none"> • instantaneous contact | 2 |
| Number of NO contacts for auxiliary contacts | 2 |

| | |
|---|-----------|
| <ul style="list-style-type: none"> • instantaneous contact | 2 |
| Identification number and letter for switching elements | 22 E |
| Operating current at AC-12 maximum | 10 A |
| Operating current at AC-15 | |
| <ul style="list-style-type: none"> • at 230 V rated value | 10 A |
| <ul style="list-style-type: none"> • at 400 V rated value | 3 A |
| <ul style="list-style-type: none"> • at 500 V rated value | 2 A |
| <ul style="list-style-type: none"> • at 690 V rated value | 1 A |
| Operating current at 1 current path at DC-12 | |
| <ul style="list-style-type: none"> • at 24 V rated value | 10 A |
| <ul style="list-style-type: none"> • at 110 V rated value | 3 A |
| <ul style="list-style-type: none"> • at 220 V rated value | 1 A |
| <ul style="list-style-type: none"> • at 440 V rated value | 0.3 A |
| <ul style="list-style-type: none"> • at 600 V rated value | 0.15 A |
| Operating current with 2 current paths in series at DC-12 | |
| <ul style="list-style-type: none"> • at 24 V rated value | 10 A |
| <ul style="list-style-type: none"> • at 60 V rated value | 10 A |
| <ul style="list-style-type: none"> • at 110 V rated value | 4 A |
| <ul style="list-style-type: none"> • at 220 V rated value | 2 A |
| <ul style="list-style-type: none"> • at 440 V rated value | 1.3 A |
| <ul style="list-style-type: none"> • at 600 V rated value | 0.65 A |
| Operating current with 3 current paths in series at DC-12 | |
| <ul style="list-style-type: none"> • at 24 V rated value | 10 A |
| <ul style="list-style-type: none"> • at 60 V rated value | 10 A |
| <ul style="list-style-type: none"> • at 110 V rated value | 10 A |
| <ul style="list-style-type: none"> • at 220 V rated value | 3.6 A |
| <ul style="list-style-type: none"> • at 440 V rated value | 2.5 A |
| <ul style="list-style-type: none"> • at 600 V rated value | 1.8 A |
| Operating frequency at DC-12 maximum | 1 000 1/h |
| Operating current at 1 current path at DC-13 | |
| <ul style="list-style-type: none"> • at 24 V rated value | 10 A |
| <ul style="list-style-type: none"> • at 110 V rated value | 1 A |
| <ul style="list-style-type: none"> • at 220 V rated value | 0.3 A |
| <ul style="list-style-type: none"> • at 440 V rated value | 0.14 A |
| <ul style="list-style-type: none"> • at 600 V rated value | 0.1 A |
| Operating current with 2 current paths in series at DC-13 | |
| <ul style="list-style-type: none"> • at 24 V rated value | 10 A |
| <ul style="list-style-type: none"> • at 60 V rated value | 3.5 A |

| | |
|--|---|
| <ul style="list-style-type: none"> • at 110 V rated value • at 220 V rated value • at 440 V rated value • at 600 V rated value | <p>1.3 A</p> <p>0.9 A</p> <p>0.2 A</p> <p>0.1 A</p> |
| Operating current with 3 current paths in series at DC-13 | |
| <ul style="list-style-type: none"> • at 24 V rated value • at 60 V rated value • at 110 V rated value • at 220 V rated value • at 440 V rated value • at 600 V rated value | <p>10 A</p> <p>4.7 A</p> <p>3 A</p> <p>1.2 A</p> <p>0.5 A</p> <p>0.26 A</p> |
| Operating frequency at DC-13 maximum | 1 000 1/h |
| Design of the miniature circuit breaker | |
| <ul style="list-style-type: none"> • for short-circuit protection of the auxiliary circuit up to 230 V | C characteristic: 6 A; 0.4 kA |
| Contact reliability of auxiliary contacts | 1 faulty switching per 100 million (17 V, 1 mA) |

UL/CSA ratings

| | |
|---|-------------|
| Contact rating of auxiliary contacts according to UL | A600 / Q600 |
|---|-------------|

Short-circuit protection

| | |
|---|------------------|
| Design of the fuse link | |
| <ul style="list-style-type: none"> • for short-circuit protection of the auxiliary switch required | fuse gL/gG: 10 A |

Installation/ mounting/ dimensions

| | |
|--|--|
| Mounting position | +/-180° rotation possible on vertical mounting surface; can be tilted forward and backward by +/- 22.5° on vertical mounting surface |
| Mounting type | screw and snap-on mounting onto 35 mm standard mounting rail |
| Height | 57.5 mm |
| Width | 45 mm |
| Depth | 73 mm |
| Required spacing | |
| <ul style="list-style-type: none"> • with side-by-side mounting <ul style="list-style-type: none"> — forwards — upwards — downwards — at the side • for grounded parts <ul style="list-style-type: none"> — forwards — upwards — at the side — downwards | <p>10 mm</p> <p>10 mm</p> <p>10 mm</p> <p>0 mm</p> <p>10 mm</p> <p>10 mm</p> <p>6 mm</p> <p>10 mm</p> |

| | |
|------------------|-------|
| • for live parts | |
| — forwards | 10 mm |
| — upwards | 10 mm |
| — downwards | 10 mm |
| — at the side | 6 mm |

Connections/ Terminals

| | |
|---|---|
| Type of electrical connection | |
| • for auxiliary and control current circuit | screw-type terminals |
| Type of connectable conductor cross-sections | |
| • for auxiliary contacts | |
| — single or multi-stranded | 2x (0,5 ... 1,5 mm ²), 2x (0,75 ... 2,5 mm ²), 2x 4 mm ² |
| — finely stranded with core end processing | 2x (0.5 ... 1.5 mm ²), 2x (0.75 ... 2.5 mm ²) |
| • at AWG conductors for auxiliary contacts | 2x (20 ... 16), 2x (18 ... 14), 2x 12 |

Safety related data

| | |
|---|--------------------------------------|
| B10 value | |
| • with high demand rate acc. to SN 31920 | 1 000 000; With 0.3 x I _e |
| Proportion of dangerous failures | |
| • with low demand rate acc. to SN 31920 | 40 % |
| • with high demand rate acc. to SN 31920 | 73 % |
| Failure rate [FIT] | |
| • with low demand rate acc. to SN 31920 | 100 FIT |
| Product function | |
| • positively driven operation acc. to IEC 60947-5-1 | Yes |
| T1 value for proof test interval or service life acc. to IEC 61508 | 20 y |

Certificates/ approvals

| | |
|--------------------------|-----|
| General Product Approval | EMC |
|--------------------------|-----|



[KC](#)



| | | | |
|---------------------------------------|---------------------------|-------------------|-------------------|
| Functional Safety/Safety of Machinery | Declaration of Conformity | Test Certificates | Marine / Shipping |
|---------------------------------------|---------------------------|-------------------|-------------------|

[Type Examination Certificate](#)



[Miscellaneous](#)

[Type Test Certificates/Test Report](#)

[Special Test Certificate](#)



| |
|-------------------|
| Marine / Shipping |
|-------------------|



| |
|-------|
| other |
|-------|

[Confirmation](#)



| |
|---------------------|
| Further information |
|---------------------|

Information- and Downloadcenter (Catalogs, Brochures,...)

<https://www.siemens.com/ic10>

Industry Mall (Online ordering system)

<https://mall.industry.siemens.com/mall/en/en/Catalog/product?mlfb=3RH2122-1AF00>

Cax online generator

<http://support.automation.siemens.com/WW/CAXorder/default.aspx?lang=en&mlfb=3RH2122-1AF00>

Service&Support (Manuals, Certificates, Characteristics, FAQs,...)

<https://support.industry.siemens.com/cs/ww/en/ps/3RH2122-1AF00>

Image database (product images, 2D dimension drawings, 3D models, device circuit diagrams, EPLAN macros, ...)

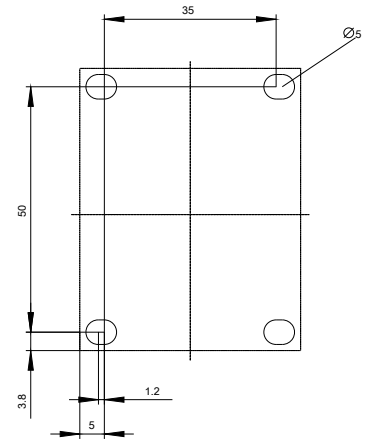
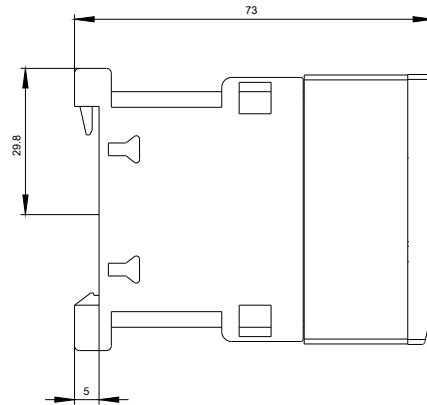
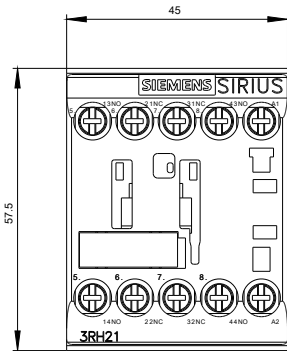
http://www.automation.siemens.com/bilddb/cax_de.aspx?mlfb=3RH2122-1AF00&lang=en

Characteristic: Tripping characteristics, I²t, Let-through current

<https://support.industry.siemens.com/cs/ww/en/ps/3RH2122-1AF00/char>

Further characteristics (e.g. electrical endurance, switching frequency)

<http://www.automation.siemens.com/bilddb/index.aspx?view=Search&mlfb=3RH2122-1AF00&objecttype=14&gridview=view1>







last modified:

05/20/2020