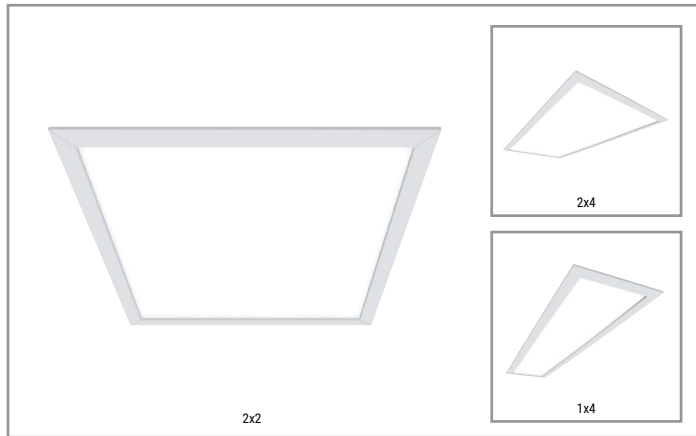


Project		Catalog #		Type	
Prepared by		Notes		Date	



Metalux

CGT LED

LED Panel

Typical Applications

Offices • Education • Healthcare • Retail

Product Certification



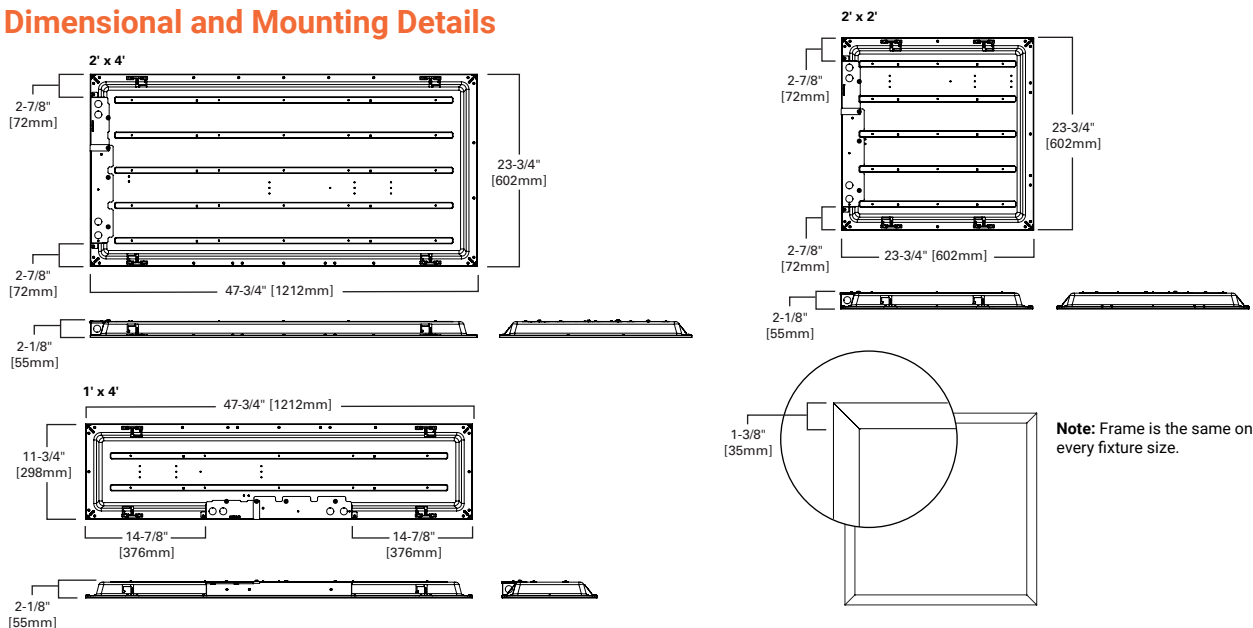
Interactive Menu

- Order Information page 2
- Photometric Data page 3
- Product Warranty

Top Product Features

- Robust die-formed steel housing is post-painted for maximum durability
- Acrylic micro optics provide uniform illumination from corner to corner
- Extruded aluminum bezel with mitered corners tightly sealed to the housing to optimize durability and aesthetics
- Thin 2.125" height fits shallow plenums with room to spare
- Projected lumen maintenance based on TM21 testing standards is >L84, @60,000 hours

Dimensional and Mounting Details



Ordering Information/Performance

Standard Options

Catalog	Size	UPC	CCT	CRI (Min)	Delivered Nominal Lumens	Watts		Efficacy (lm/W)		Input Current (A)	
						120V	277V	120V	277V	120V	277V
14CGT4035C	1x4	080083879526	3500K	80	4189	39.4	38.8	106	108	0.33	0.15
14CGT4040C		080083879540	4000K	80	4351			110	112		
14CGT4050C		080083879861	5000K	80	4351			110	112		
22CGT3535C	2x2	080083880003	3500K	80	3449	31.4	31.7	110	109	0.2	0.09
22CGT3540C		080083880027	4000K	80	3582			114	113		
22CGT3550C		080083880041	5000K	80	3582			114	113		
24CGT4535C	2x4	080083880089	3500K	80	4268	38.8	38	110	112	0.33	0.15
24CGT4540C		080083880102	4000K	80	4432			114	117		
24CGT4550C		080083880126	5000K	80	4432			114	117		
24CGT5535C		080083880164	3500K	80	5139			110	111		
24CGT5540C		080083880188	4000K	80	5337			114	115		
24CGT5550C	080083880201	5000K	80	5337	46.8	46.4	114	115	0.39	0.18	

Options/Ordering Information

EL14W=EBPLED14W battery installed ⁽²⁾
EL7W=EBPLED7W battery installed ⁽²⁾
Example catalog number=24CGT4540C-EL14W ⁽¹⁾

A3/8-4/18GDIM=6' 3/8" flex with dimming leads installed
Example catalog number=24CGT4540C-A3/8-4/18GDIM ⁽¹⁾

Notes : (1) Catalog number used as an example, substitute the desired catalog number required. (2) Indicator/test switch to be installed separately. For approximate delivered lumens multiply the lumens per watt of the desired fixture by the wattage of the emergency battery pack (100 lm/W x 7=700 lumens).

Shipping Data

	1x4	2x2	2x4
Product Weight (lb.)	7.3	6.8	11.9
Packaged Weight (lb.)	8.4	8.4	14.5
Pallet Qty	54	72	36
Pallet Size	52x40	52x49	

Load Data

THD	<15% THD
PF	>.94 PF

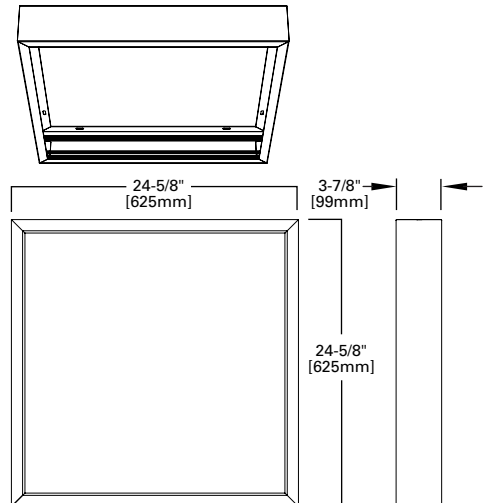
Accessories/Ordering Information

(CGT specific accessories available to ship in March 2020)

Catalog No.	Description	UPC
CGTEQ	EQ Clip Kit for CGT Troffer	080083083084
CGTSURF24	2x4 CGT Surface Mount Kit	080083083107
CGTSURF22	2x2 CGT Surface Mount Kit	080083083121
CGTSURF14	1x4 CGT Surface Mount Kit	080083083145

Accessories/Ordering Information

Catalog	UPC



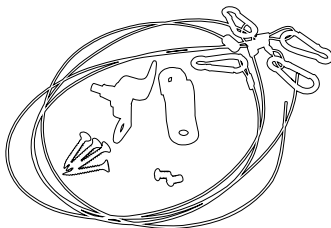
Drywall Frame Kit

Catalog No.	Description	UPC	Size
DF-24W-U	2x4 dry wall frame kit	662401232970	2x4
DF-22W-U	2x2 dry wall frame kit	662401232963	2x2
DF-14W-U	1x4 dry wall frame kit	662401232949	1x4

Suspension Kit

Catalog	UPC
FPSUS2	080083802784

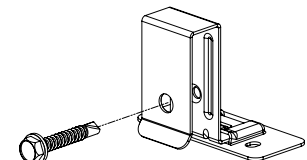
Mounting height from ceiling
Min.=7-1/4" [184mm]
Max.=27" [286mm]



Ceiling Retention

Catalog	UPC

Required by some local codes. Order one set for each fixture (Four clips per kit)



Emergency Battery

Catalog No.	Description	UPC	Watts
EBPLED7W	7 Watt emergency battery field installed	080083732265	7
EBPLED14W	14 Watt emergency battery field installed	080083732272	14

Product Specifications

Construction

- Robust die-formed steel back plate is post-painted to ensure durability
- Housing is constructed with limited holes which are covered to resist debris/bug intrusion
- Aluminum bezel with mitered corners is tightly fastened to the housing

Mounting

- Integral grid clips provided and include suspension / wire retention features
- Grid clip includes fold up hang points. Use FPSUS2 or other desired suspension methods for direct suspension
- "Earthquake clip" accessories are available for use where required
- Junction box constructed of code gauge galvanized steel with access plate
- Multiple Trade size KO provided and JBox is suitable for up to 12AWG wiring
- Surface and suspension kits are available to for use in grid or on hard surfaces
- Factory installed flexible cable with dimming leads options available

Controls

- Standard UNV 120 - 277V driver with 0-10V dimming to 10% standard
- Can be used with tile mounted sensor or other remotely mounted controls

Electrical

- Projected lumen maintenance based on TM21 testing standards is >L84 @60,000 hours
- Driver is rated for FCC part 15 Class B for use in residential or commercial applications
- LEDs are 80 CRI (minimum) and available in 3500K, 4000K, and 5000K CCT
- Emergency battery pack options available in 7W and 14W options

Optical Shielding

- Acrylic micro-optics enable uniform distribution of the LEDs to eliminate hot spots
- White frost lens with smooth pattern delivers uniform illumination from corner to corner
- Lens is tough with surface texture to minimize damage from scratches and impact

Compliance

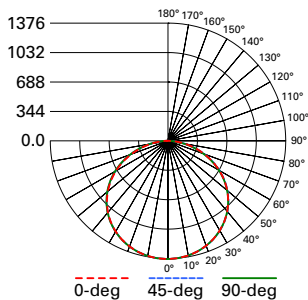
- Indoor luminaires are cULus listed for 25C ambient environments
- IC rated for direct insulation contact
- Damp location listed
- IESNA LM-79 and LM-80 standards compliant
- DesignLights Consortium® Qualified and classified for DLC Standard, refer to www.designlights.org for details.
- FCC part 15 class B (residential) compliant

Warranty

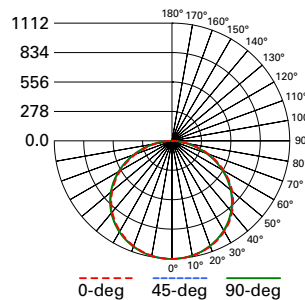
- Five year warranty
- Extended warranty up to 10 years is available

Photometric Data

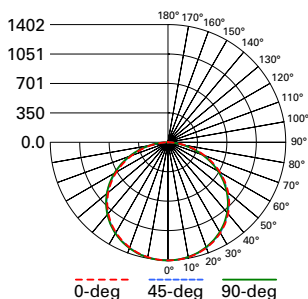
 [View IES files](#)



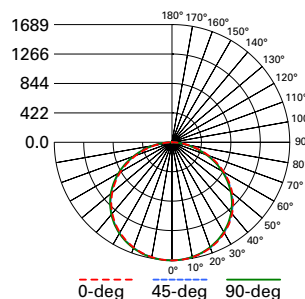
14CGT4040C
 Electronic Driver
 Linear LED 4000K
 Spacing criterion: (H) 1.31 x mounting height, (L) 1.31 x mounting height
 Lumens: 4351
 Input Watts: 39.4W
 Efficacy: 110.4 LPW
 Test Report: 14CGT4040C.IES



22CGT3540C
 Electronic Driver
 Linear LED 4000K
 Spacing criterion: (H) 1.32 x mounting height, (L) 1.32 x mounting height
 Lumens: 3582
 Input Watts: 31.4W
 Efficacy: 114.1 LPW
 Test Report: 22CGT3540C.IES



24CGT4540C
 Electronic Driver
 Linear LED 4000K
 Spacing criterion: (H) 1.31 x mounting height, (L) 1.31 x mounting height
 Lumens: 4432
 Input Watts: 38.8W
 Efficacy: 114.2 LPW
 Test Report: 24CGT4540C.IES



24CGT5540C
 Electronic Driver
 Linear LED 4000K
 Spacing criterion: (H) 1.31 x mounting height, (L) 1.31 x mounting height
 Lumens: 5337
 Input Watts: 46.8W
 Efficacy: 114.0 LPW
 Test Report: 24CGT5540C.IES