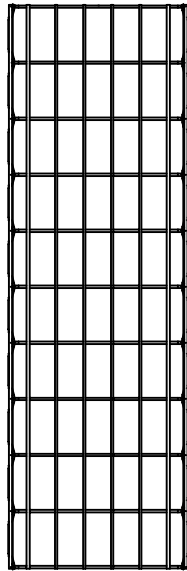


CF 54 CABLOFIL CABLE TRAY

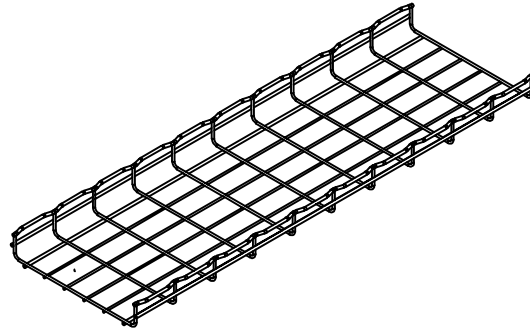
CABLOFIL®

INNOVATORS IN CABLE MANAGEMENT

8319 State Route 4
 Mascoutah IL 62258
 Phone: 800-658-4641
 618-566-3230
 Fax: 618-566-3250
www.cablofil.com



TOP



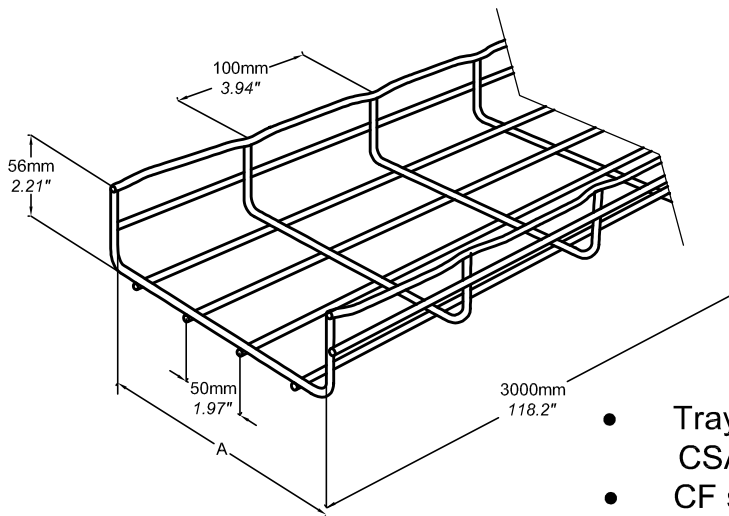
ISOMETRIC




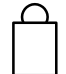
FRONT






SIDE



- Tray designed per NEMA VE-1, CSA C22.2 No. 126
- CF series has top wave wire

	 in mm		 lb
CF54 50	1.967	50	5.3
CF54 100	3.937	100	6.5
CF54 150	5.904	150	7.8
CF54 200	7.872	200	9.0
CF54 300	11.81	300	13.4
CF54 450	17.71	450	25
CF54 500	19.68	500	24.4
CF54 600	23.62	600	27.5

WH
 BL PE 316L
 EZ GC 304L

	Material	Finish
EZ	Carbon Steel ASTM A510 Grade 1008	Electroplated Zinc, ASTM B633
GC	Carbon Steel ASTM A510 Grade 1008	Hot-Dip Galvanized ASTM A123
BL	Carbon Steel ASTM A510 Grade 1008	Black Painted ASTM D 3451
PE	Carbon Steel ASTM A510 Grade 1008	Custom Painted ASTM D 3451
304L	AISI TYPE 304L	Passivated ASTM A 380
316L	AISI TYPE 316L	Passivated ASTM A 380